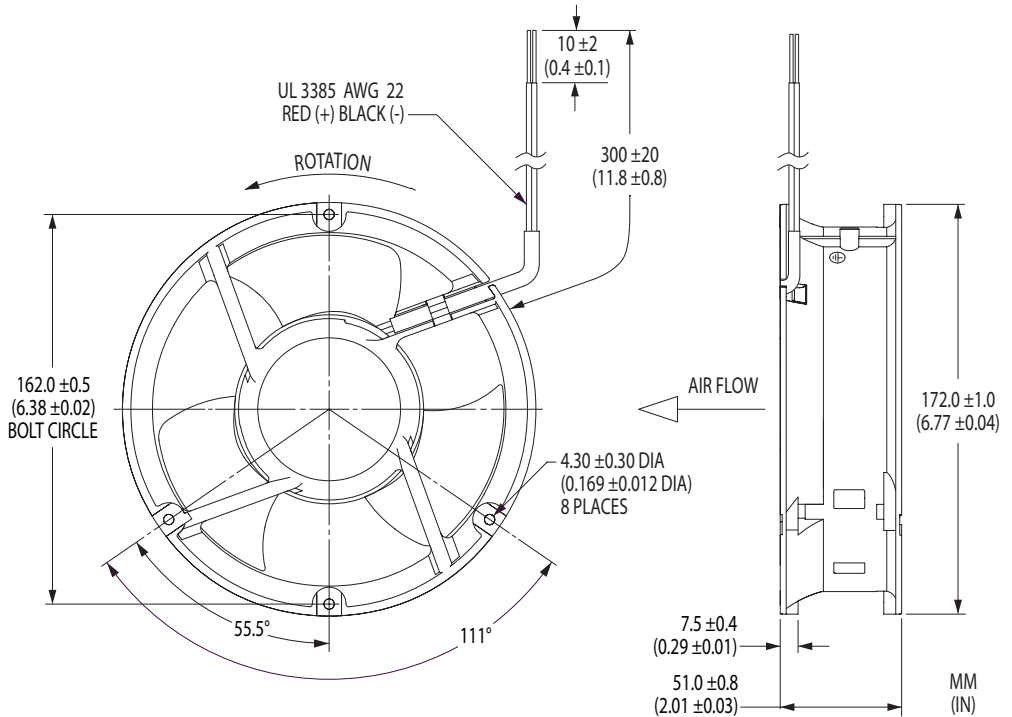


172x51mm



Y17L Series

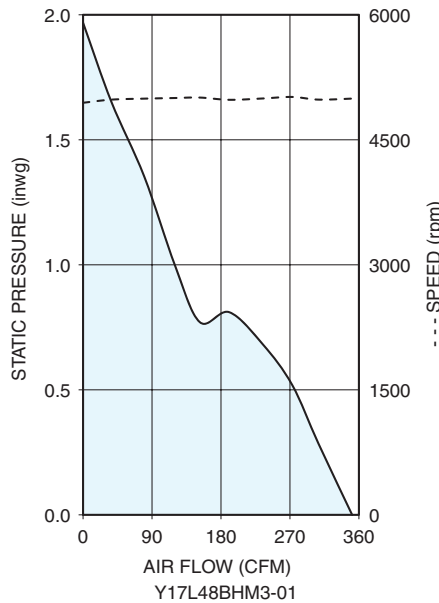
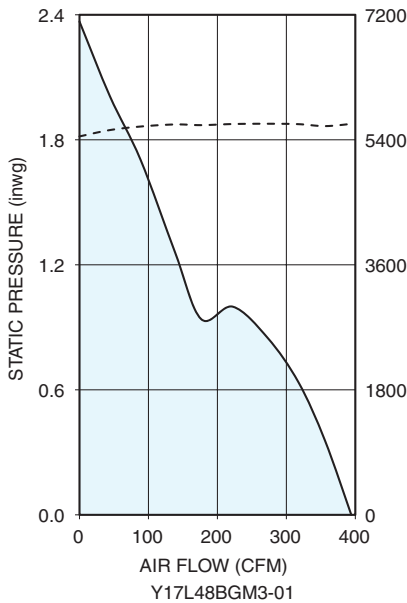
- ✓ Feedback-Governed, Speed-Stable Fans
- ✓ Air Flow Ratings to 395 CFM
- ✓ Wide Variety of Monitor and Control Options
- ✓ Permanently Lubricated Dual Ball Bearings



Tube Axial Cooling Fans

Model	Max. Static Air Flow (CFM)	Max. Static Pressure (inwg)	Operating Voltage		Operating Current (A)	Input Power (W)	Fan Speed (rpm)	Sound Pressure (dBA)	Operating Temp.		L10 Life† (hours)
			Nominal (V)	Range (V)					Min. (°C)	Max. (°C)	
Y17L48BGM3-01	395	2.37	48	36-60	1.18	56.6	5600	66.0	-10	+70	70,000
Y17L48BHM3-01	350	1.97	48	36-60	0.87	41.8	5000	64.0	-10	+70	—

Air flow, current, speed and sound pressure ratings are at nominal operating voltage and zero static pressure. Current and power ratings are average expected values under those conditions. † L10 bearing life expectancy at T_A = +40°C. © UltraFlo is a registered trademark of Nidec Corporation.



All for dreams