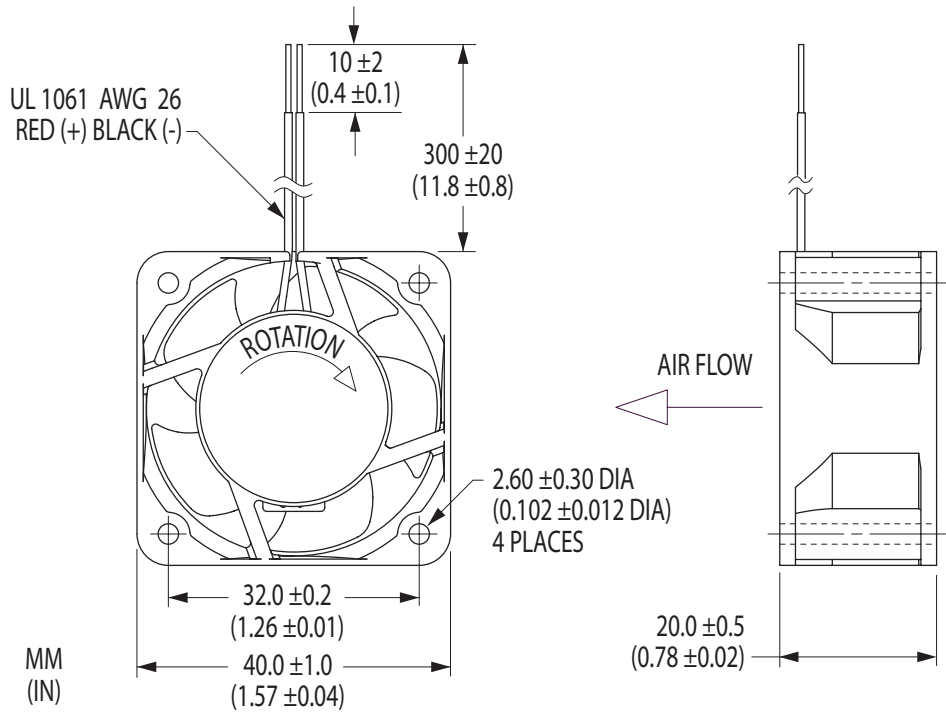


UltraFlo®



U40G Series

- ✓ Air Flow Ratings to 19 CFM
- ✓ Static Pressure to 1.3 inwg
- ✓ Variety of Monitor and Speed Control Options
- ✓ Permanently Lubricated Dual Ball Bearings

40 x 20mm Tube Axial Cooling Fans

Model	Max. Static		Operating Voltage		Operating Current (A)	Input Power (W)	Fan Speed (rpm)	Sound Pressure (dBA)	Operating Temp.		L10 Life† (hours)
	Air Flow (CFM)	Pressure (inwg)	Nominal (V)	Range (V)					Min. (°C)	Max. (°C)	
U40G-12BUA5-51	19	1.32	12	7.0-13.8	0.35	4.2	17000	47.0	-10	+70	60,000
U40G12BGA5-51	14	0.71	12	7.0-13.8	0.17	2.0	13000	41.0	-10	+70	—
U40G12BHA5-51	8.5	0.31	12	7.0-13.8	0.08	1.0	8000	26.5	-10	+70	—

Air flow, current, speed and sound pressure ratings are at nominal operating voltage and zero static pressure. Current and power ratings are average expected values under those conditions. † L10 bearing life expectancy at $T_A = +40^\circ\text{C}$. © UltraFlo is a registered trademark of Nidec Corporation.

