



# QUICK GUIDE TO AC FANS

Model	Air		Line		Power (W)	NPEL (Bels)	Housing	Fan Speed (rpm)	Safety Approval			Temperature		L10 Life † (hours)
	Flow (CFM)	Voltage (V)	Frequency (Hz)	Current (mA)					UL	CSA	VDE	Min. (°C)	Max. (°C)	

## TA600AC Ball Bearing Fans

5.91 × 6.75 × 1.50 in. (150 × 171 × 38 mm), 33.5 oz.

A32060	135	115	50/60	250/220	23/21	4.8	Aluminum	1750	✓	✓	—	-20	+70	55,000
A32013	135	230	50/60	135/120	23/21	4.8	Aluminum	1800	✓	✓	—	-20	+70	55,000
A30318	260	115	50/60	350	32	6.6	Aluminum	3300	✓	✓	†	-20	+70	55,000
A30322	260	230	50/60	175	32	6.6	Aluminum	3300	✓	✓	—	-20	+70	55,000

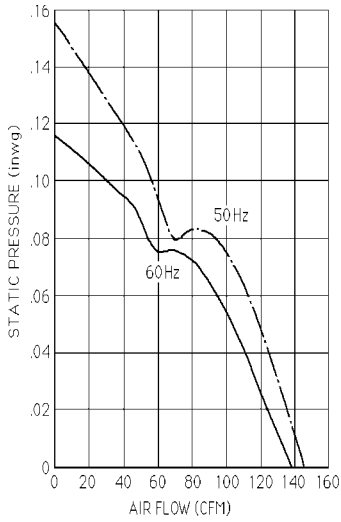
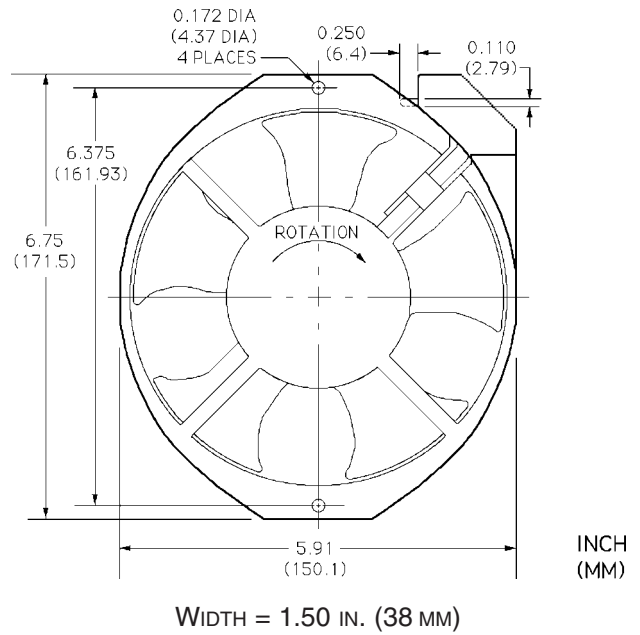
Note: Noise Power Emission Level (NPEL), current, power and speed ratings are at nominal voltage against zero static pressure. Power termination and signal options are designated by two-digit suffixes added to the model names. For quick-disconnect male power-tab terminations on the body of the fan, add "-10" to the model numbers. For color-coded 12-inch power leads with stripped ends, add "-20" to the model numbers.

The strut side is the air discharge side of all ac-powered fans shown here.

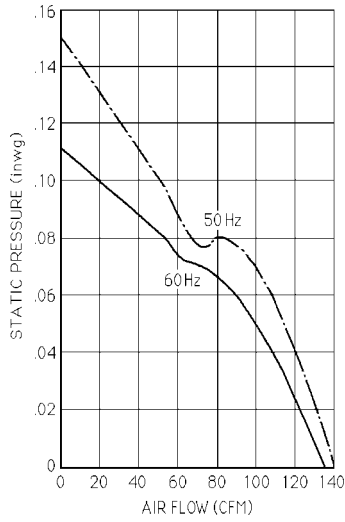
† TÜV approved to EN60950.

† L10 bearing life expectancy at  $T_A = +40^\circ\text{C}$ , nominal voltage. Failure criteria include a 15% reduction in speed or a 5 dBA increase in sound pressure.

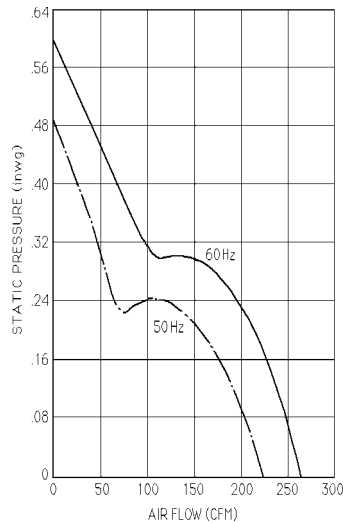
# TA600AC



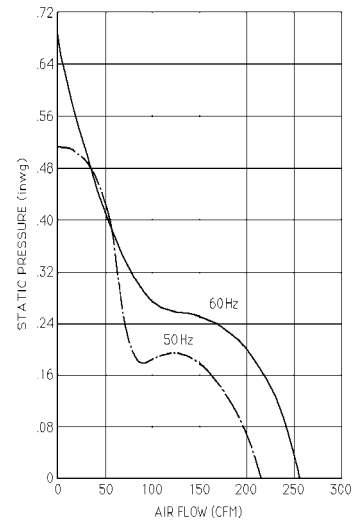
A32060



A32013



A30318



A30322

