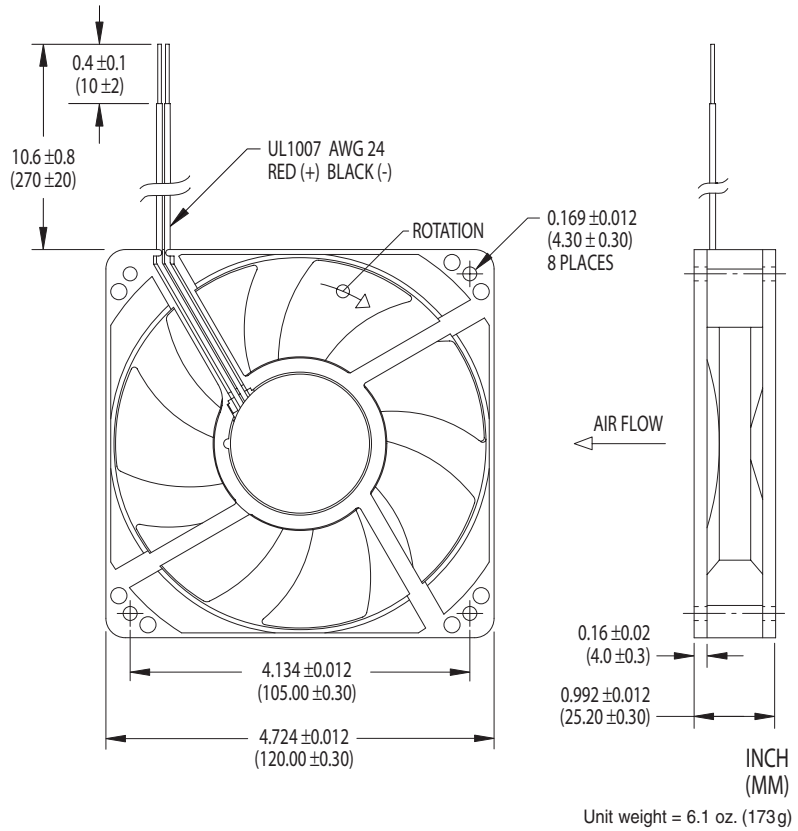


120x25mm



- ▶ 12V and 24V Models
- ▶ Polarity Protected
- ▶ Permanently Lubricated Ball Bearings
- ▶ Alarm/Tachometer/Thermal Speed Control/PWM Speed Control Options
- ▶ Sound-Absorbing Thermoplastic Frame and Impeller Rated V-0
- ▶ Color-Coded 10.6 in. (270 mm) Leads



SLIMLINE TA450DC Series—Electrical and Mechanical Characteristics

Model	Air Flow (CFM)	Operating Voltage		Current (mA)	Power (W)	Sound Level		Fan Speed (rpm)	Bearing	Operating Temp.		L10 Life† (hours)
		Nom. (V)	Range (V)			Pressure (dBA)	NPEL (Bels)			Min. (°C)	Max. (°C)	
A34343	53	12	10.2-13.8	100	1.20	26.1	4.0	1,500	Ball	-10	+70	76,800
A34347	53	24	20.4-27.6	90	2.16	26.1	4.0	1,500	Ball	-10	+70	76,800
A34341	71	12	10.2-13.8	200	2.40	32.1	4.7	2,000	Ball	-10	+70	72,600
A34348	71	24	20.4-27.6	120	2.88	32.1	4.7	2,000	Ball	-10	+70	72,600
A34344	85	12	10.2-13.8	300	3.60	37.7	5.1	2,300	Ball	-10	+70	68,700
A34349	85	24	20.4-27.6	150	3.60	37.7	5.1	2,300	Ball	-10	+70	68,700
A34346	92	12	10.2-13.8	330	3.96	40.4	5.4	2,550	Ball	-10	+70	62,600
A34350	92	24	20.4-27.6	180	4.32	40.4	5.4	2,550	Ball	-10	+70	62,600

Note: Air flow, current, power, speed and sound level ratings are at nominal voltage against zero static pressure. NPEL = Noise Power Emission Level. Power termination and signal options are designated by two-digit suffixes added to the model names: For color-coded 270mm power leads with stripped ends, add "-16" to the model numbers.

† L10 bearing life expectancy at $T_A = +40^\circ\text{C}$, nominal voltage. Failure criteria for life testing that establishes this figure include a 15% reduction in speed or a 5 dBA increase in sound pressure.

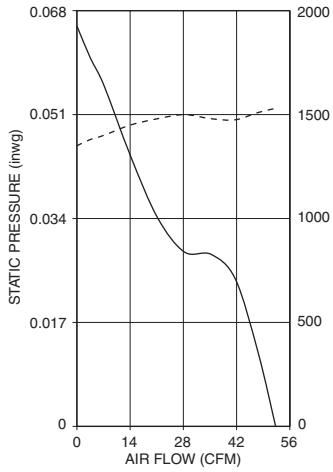


Nidec
All for dreams

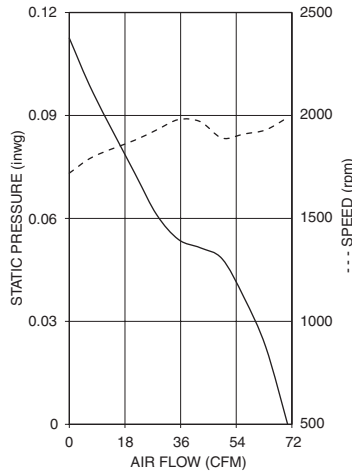
Nidec America · 781-848-0970 · email fans@nidecamerica.com · www.nidecamerica.com

120×25mm

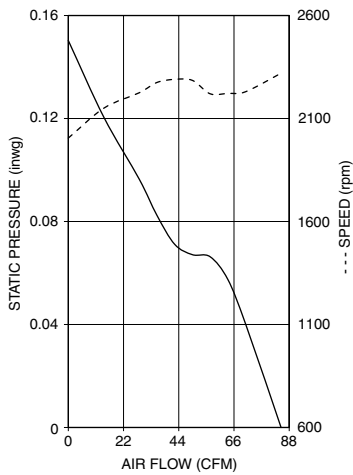
SLIMLINE TA450DC Air Performance Characteristics



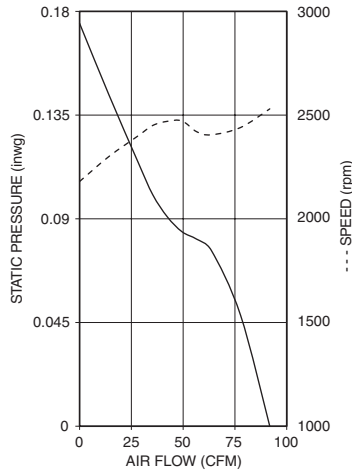
A34343 and A34347



A34341 and A34348



A34344 and A34349



A34346 and A34350

