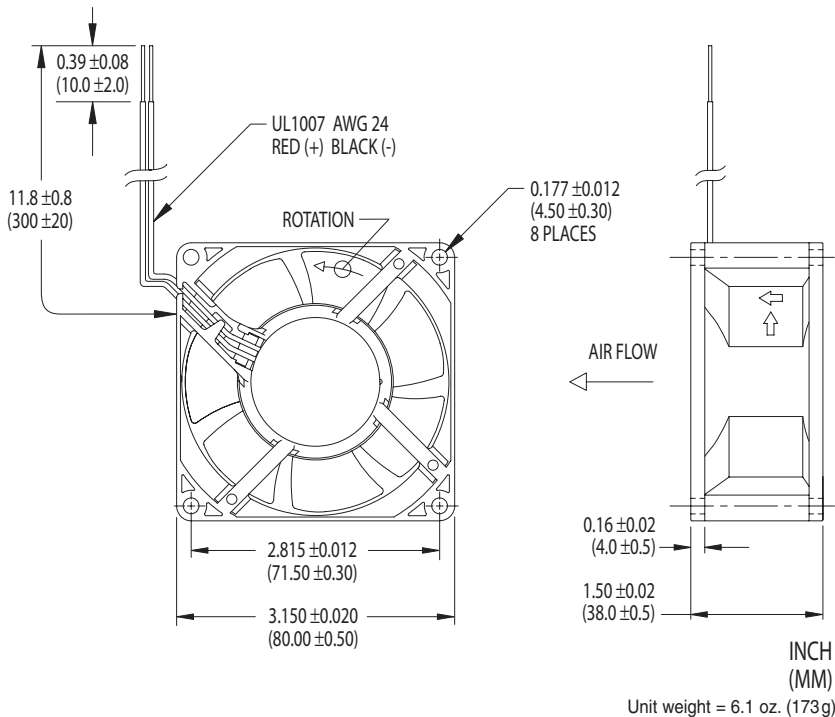


# 80×38mm



- Enhanced Air Delivery at Elevated Static Pressure
- Polarity Protected
- Strut Side Discharge
- Permanently Lubricated Ball Bearings
- Alarm/Tachometer/Thermal Control/PWM Speed Control Options
- Sound-Absorbing Thermoplastic Frame and Impeller Rated V-0

### WIDEBODY TA300DC Series—Electrical and Mechanical Characteristics

Model	Air Flow (CFM)	Operating Voltage		Current (mA)	Power (W)	Sound Level		Fan Speed (rpm)	Bearing	Operating Temp.	
		Nom. (V)	Range (V)			Pressure (dBA)	NPEL (Bels)			Min. (°C)	Max. (°C)
M35142	80	12	10.2-13.8	820	9.84	53.8	6.6	6,500	Ball	-10	+70
M35133	80	24	20.4-27.6	440	10.6	53.8	6.6	6,500	Ball	-10	+70

Note: Air flow, current, power, speed and sound level ratings are at nominal voltage against zero static pressure. NPEL = Noise Power Emission Level. Power termination and signal options are designated by two-digit suffixes added to the model names: For color-coded 300mm power leads with stripped ends, add "-16" to the model numbers.

