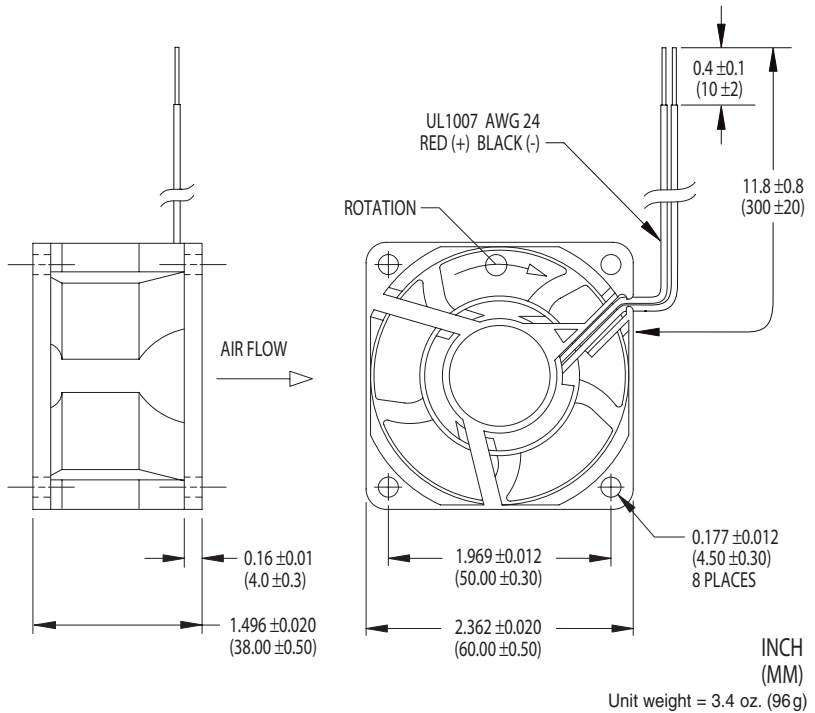


60×38mm



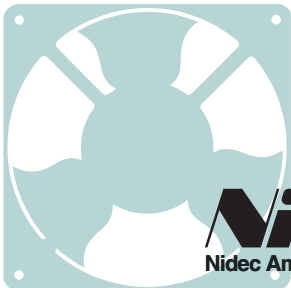
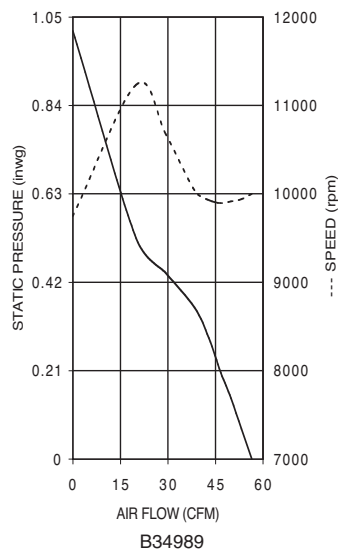
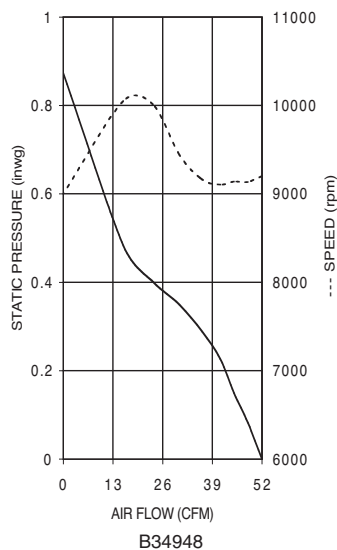
- ▶ Enhanced Air Delivery at Elevated Static Pressure
- ▶ Polarity Protected
- ▶ Strut Side Discharge
- ▶ Permanently Lubricated Ball Bearings
- ▶ Alarm/Tachometer/Thermal Control Options Available on All Models
- ▶ Sound-Absorbing Thermoplastic Frame and Impeller Rated V-0



WIDEBODY TA225DC Series—Electrical and Mechanical Characteristics

Model	Air Flow (CFM)	Operating Voltage		Current (mA)	Power (W)	Sound Level		Fan Speed (rpm)	Bearing	Operating Temp.	
		Nom. (V)	Range (V)			Pressure (dBA)	NPEL (Bels)			Min. (°C)	Max. (°C)
B34948	50	12	6.0-13.8	1000	12.0	54.6	7.0	9,200	Ball	-10	+70
B34989	55	12	6.0-13.8	1500	18.0	56.1	7.3	10,000	Ball	-10	+70

Note: Air flow, current, power, speed and sound level ratings are at nominal voltage against zero static pressure. NPEL = Noise Power Emission Level. Power termination and signal options are designated by two-digit suffixes added to the model names: For color-coded 300mm power leads with stripped ends, add "-16" to the model numbers.



Nidec
Nidec America Corporation

phone 781-848-0970 · email fans@nidecamerica.com · www.nidecamerica.com