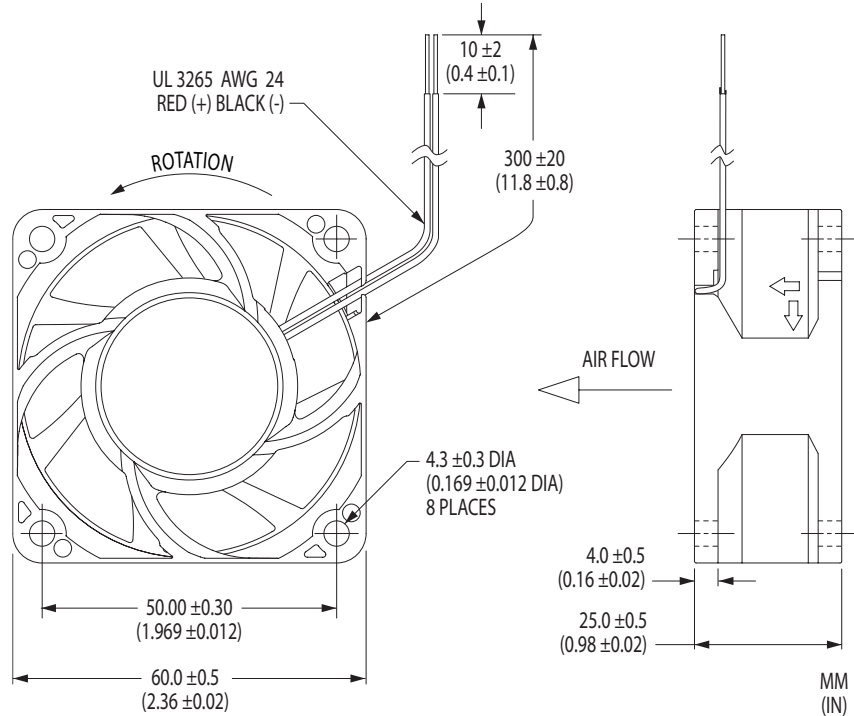


60x25mm



H60T Series

- ✓ Air Delivery to 52 CFM, 1.2 inwg
- ✓ Speed-Stable Operation
- ✓ Wide Variety of Monitor and Control Options
- ✓ Permanently Lubricated Dual Ball Bearings

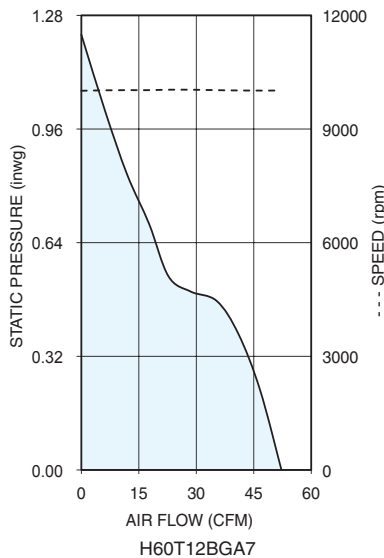


Hybrid Axial Cooling Fans

Model	Max. Static		Operating Voltage		Operating Current (A)	Input Power (W)	Fan Speed (rpm)	Sound Pressure (dBA)	Operating Temp.		L10 Life† (hours)
	Air Flow (CFM)	Pressure (inwg)	Nominal (V)	Range (V)					Min. (°C)	Max. (°C)	
H60T12BGA7-01	52	1.23	12	7.0-13.8	0.94	11.3	10,000	57.5	-10	+70	70,000

Air flow, current, speed and sound pressure ratings are at nominal operating voltage and zero static pressure. Current and power ratings are average expected values under those conditions. † L10 bearing life expectancy at T_A = +40°C. © UltraFlo is a registered trademark of Nidec Corporation.

Air Performance

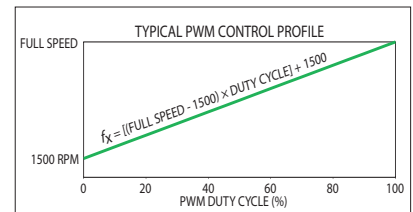
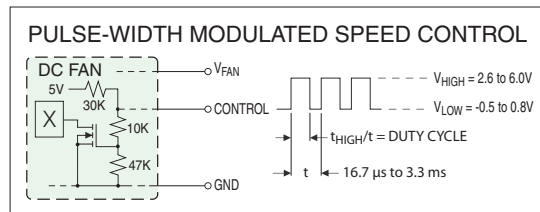
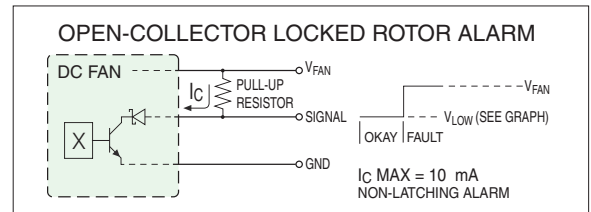
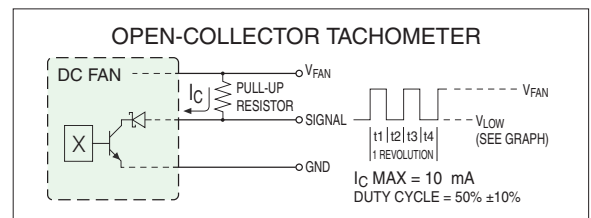


To specify an open-collector tachometer circuit (two square wave pulses per revolution, 50 percent duty cycle) terminated in a third lead wire, change the model name suffix to "02."

For an open-collector, low-pass/high-fail locked rotor alarm circuit terminated in a third lead wire, change numerals in the model name suffix to "03."

Pulse-width modulated speed control and an open-collector tach are specified by the model name suffix "07."

PWM speed control and an open-collector, low-pass/high-fail locked rotor alarm are specified by the model name suffix "08."



All for dreams