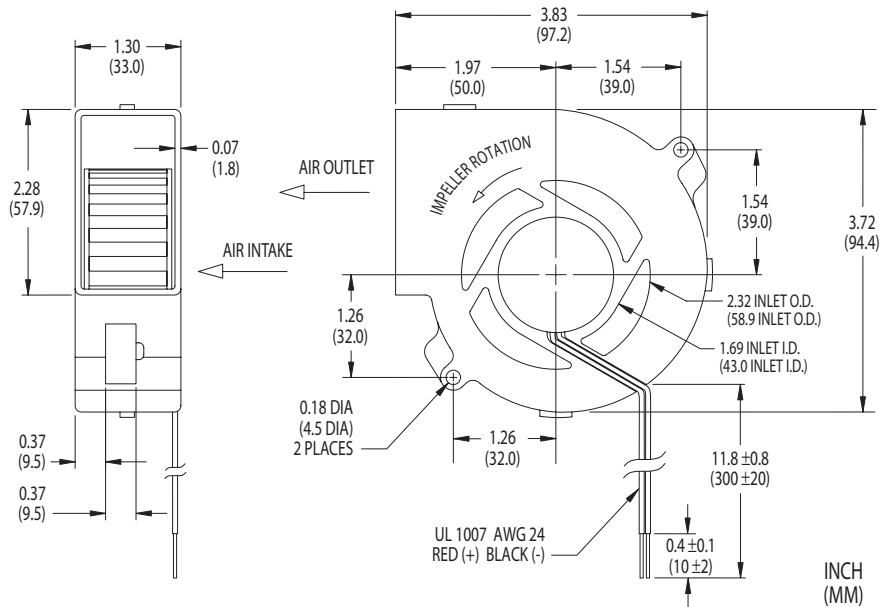


97×33mm



- ▶ 17 to 25 CFM Air Flow Ratings
- ▶ Polarity Protected
- ▶ Frame and Impeller Rated V-0
- ▶ Permanently Lubricated Ball Bearings
- ▶ Alarm/Tachometer/Thermal Speed Control Options Available
- ▶ Color-Coded 11.8 in. (300 mm) Leads

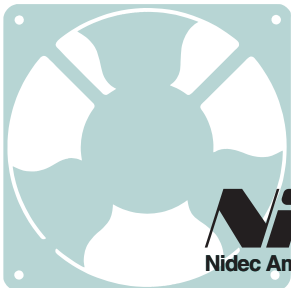
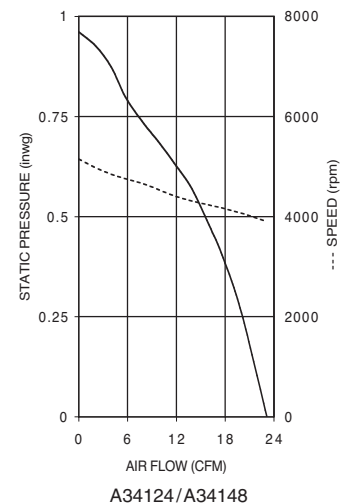
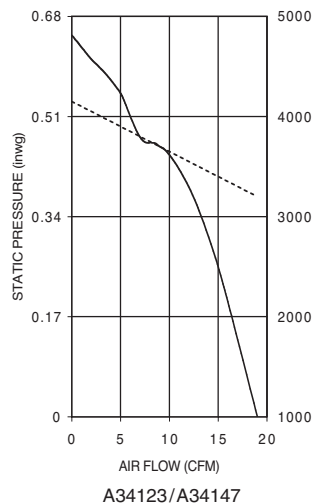
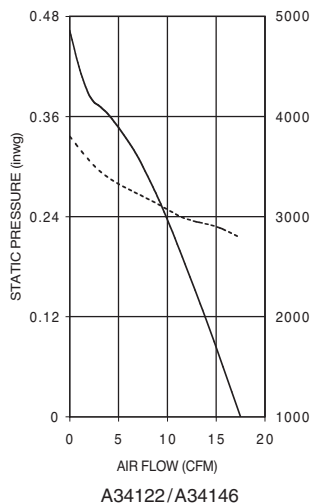


Unit weight = 6.4 oz. (181 g)

GAMMA 30 Series—Electrical and Mechanical Characteristics

Model	Air Flow (CFM)	Operating Voltage		Current (mA)	Power (W)	Sound Level		Fan Speed (rpm)	Bearing	Operating Temp.	
		Nom. (V)	Range (V)			Pressure (dBA)	NPEL (Bels)			Min. (°C)	Max. (°C)
A34122	17	12	10.2-13.8	370	4.40	46.2	5.4	2,700	Ball	-10	+70
A34146	17	24	20.4-27.6	150	3.60	46.2	5.4	2,700	Ball	-10	+70
A34123	22	12	10.2-13.8	510	6.12	53.4	5.7	3,200	Ball	-10	+70
A34147	22	24	20.4-27.6	250	6.00	53.4	5.7	3,200	Ball	-10	+70
A34124	25	12	10.2-13.8	700	8.40	57.4	6.0	3,800	Ball	-10	+50
A34148	25	24	20.4-27.6	300	7.20	57.4	6.0	3,800	Ball	-10	+50

Note: Air flow, current, power, speed and sound level ratings are at nominal voltage against zero static pressure. NPEL = Noise Power Emission Level. Power termination and signal options are designated by two-digit suffixes added to the model names: For color-coded 300mm power leads with stripped ends, add "-16" to the model numbers.



Nidec
Nidec America Corporation

phone 781-848-0970 · email fans@nidecamerica.com · www.nidecamerica.com