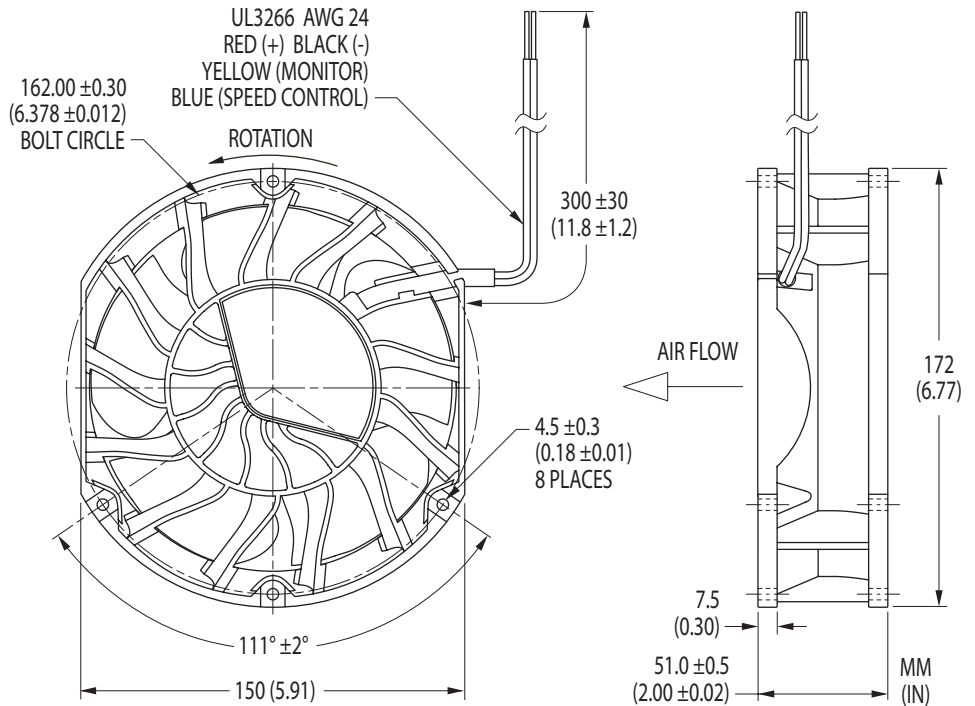


172x51mm



G1751M Series

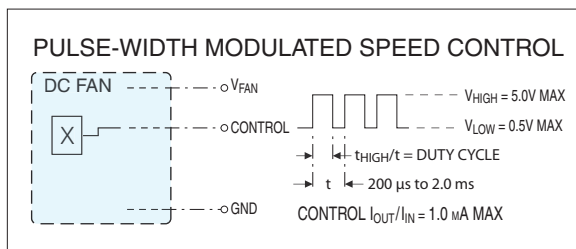
- ✓ Air Performance Ratings to 395 CFM and 3.3 inwg
- ✓ Open-Collector Tachometer and PWM Speed Control, Standard
- ✓ Die-Cast Metal Housing, Permanently Lubricated, Shielded Ball Bearings



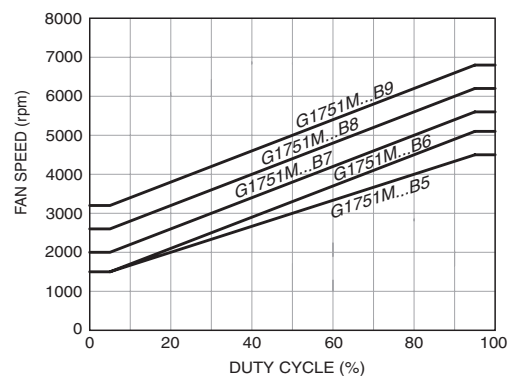
Vane Axial Cooling Fans

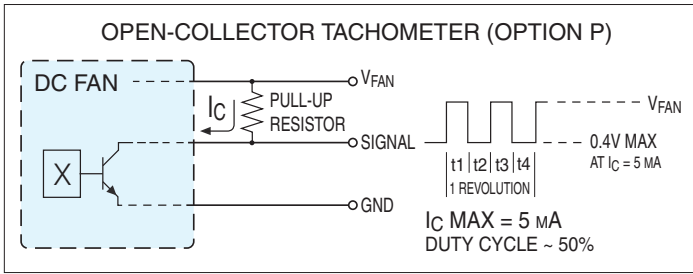
Model	Air Flow (CFM)	Max. Static Pressure (inwg)	Operating Voltage		Operating Current (A)	Input Power (W)	Fan Speed (rpm)	Sound Pressure (dBA)	Operating Temp.		L10 Life† (hours)
			Nominal (V)	Range (V)					Min. (°C)	Max. (°C)	
G1751M24B9ZP-300	395	3.13	24	16.0-28.0	4.80	115.2	6800	76.1	-20	+60	80,000
G1751M48B9ZP-00	395	3.37	48	36.0-60.0	2.50	120.0	6800	76.1	-20	+60	80,000
G1751M24B8ZP-300	353	2.85	24	16.0-28.0	3.60	86.4	6200	73.4	-20	+60	80,000
G1751M48B8ZP-00	353	2.85	48	36.0-60.0	1.80	86.4	6200	73.4	-20	+60	80,000
G1751M24B7AP-00	325	2.33	24	12.0-27.6	2.85	68.4	5600	72.3	-20	+60	80,000
G1751M48B7ZP-00	325	2.33	48	36.0-60.0	1.36	64.8	5600	72.3	-20	+60	80,000
G1751M24B6ZP-00	293	1.97	24	12.0-27.6	2.25	54.0	5100	70.0	-20	+60	80,000
G1751M48B6ZP-00	293	1.97	48	36.0-60.0	1.04	49.9	5100	70.0	-20	+60	80,000
G1751M24B5ZP-00	258	1.45	24	12.0-27.6	1.50	36.0	4500	68.3	-20	+60	80,000
G1751M48B5ZP-00	258	1.45	48	36.0-60.0	0.70	33.6	4500	68.3	-20	+60	80,000

Air flow, current, speed and sound pressure ratings are at nominal operating voltage and zero static pressure. † L10 bearing life expectancy at $T_A = +40C$. At $+60^{\circ}C$, L10 life expectancy is 40,000 hours. Failure criteria for testing that establishes these figures include a 20 percent reduction in speed or an 8 dB increase in sound generation. N/BAAH



FAN SPEED AS A FUNCTION OF PWM DUTY CYCLE





Air Performance Characteristics

