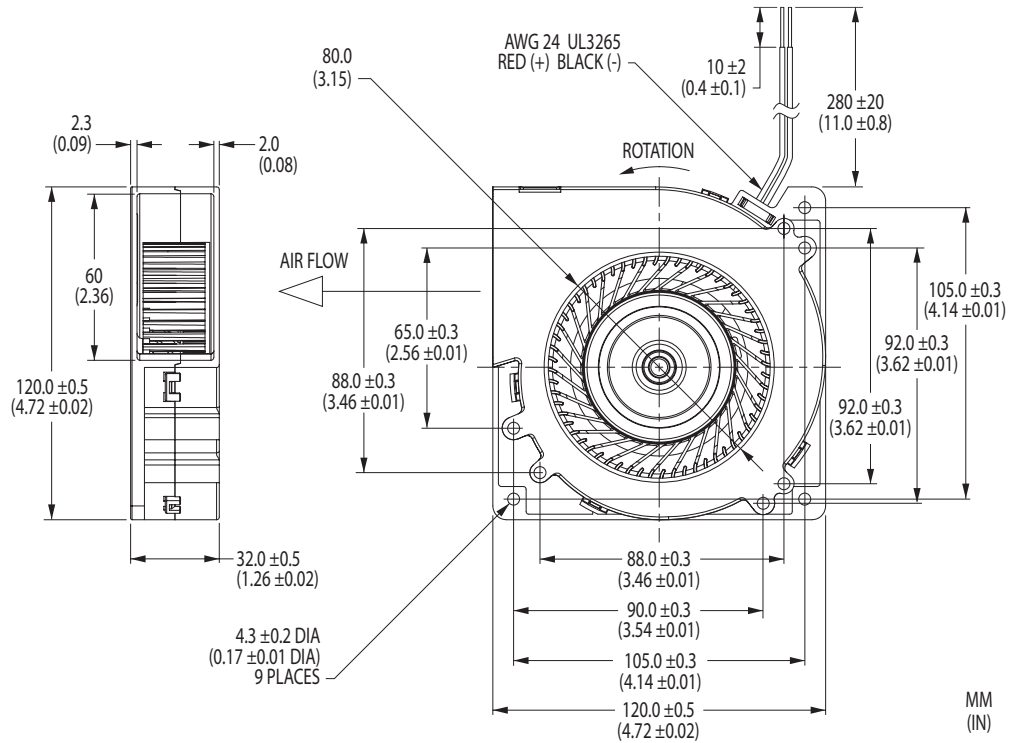


120x32mm



G12C Series

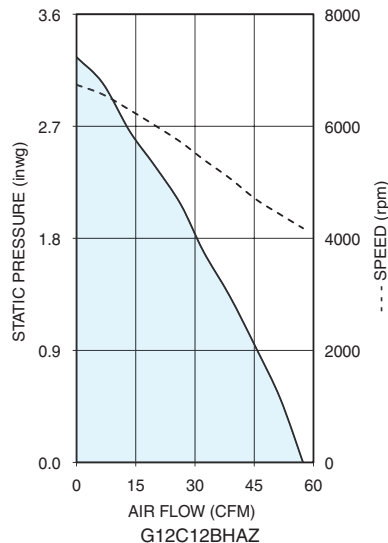
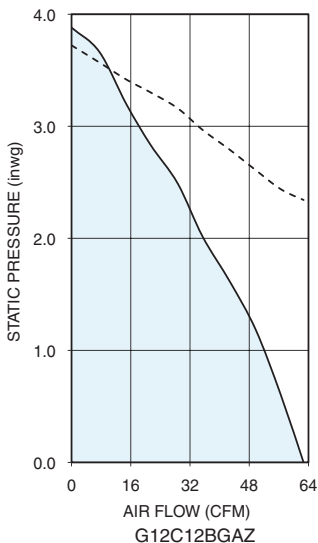
- ✓ Air Flow to 62 CFM
- ✓ Static Pressure to 3.88 inwg
- ✓ Wide Variety of Monitor and Control Options
- ✓ Permanently Lubricated Dual Ball Bearings



Centrifugal Blowers

Model	Air Flow (CFM)	Max. Static Pressure (inwg)	Operating Voltage Nominal (V)	Operating Voltage Range (V)	Operating Current (A)	Input Power (W)	Fan Speed (rpm)	Sound Pressure (dBA)	Operating Temp. Min. (°C)	Operating Temp. Max. (°C)	L10 Life† (hours)
G12C12BGAZ-51	62	3.88	12	7.0-13.8	3.63	43.6	4600	64.0	-10	+70	70,000
G12C12BHAZ-51	57	3.25	12	7.0-13.8	2.70	32.4	4200	61.0	-10	+70	70,000

Air flow, current, speed and sound pressure ratings are at nominal operating voltage and zero static pressure. Current and power ratings are average expected values under those conditions. † L10 bearing life expectancy at $T_A = +40^\circ\text{C}$. © UltraFlo is a registered trademark of Nidec Corporation.



All for dreams

Nidec America Corporation · phone 781-848-0970 · email fans@nidecamerica.com · www.nidecamerica.com