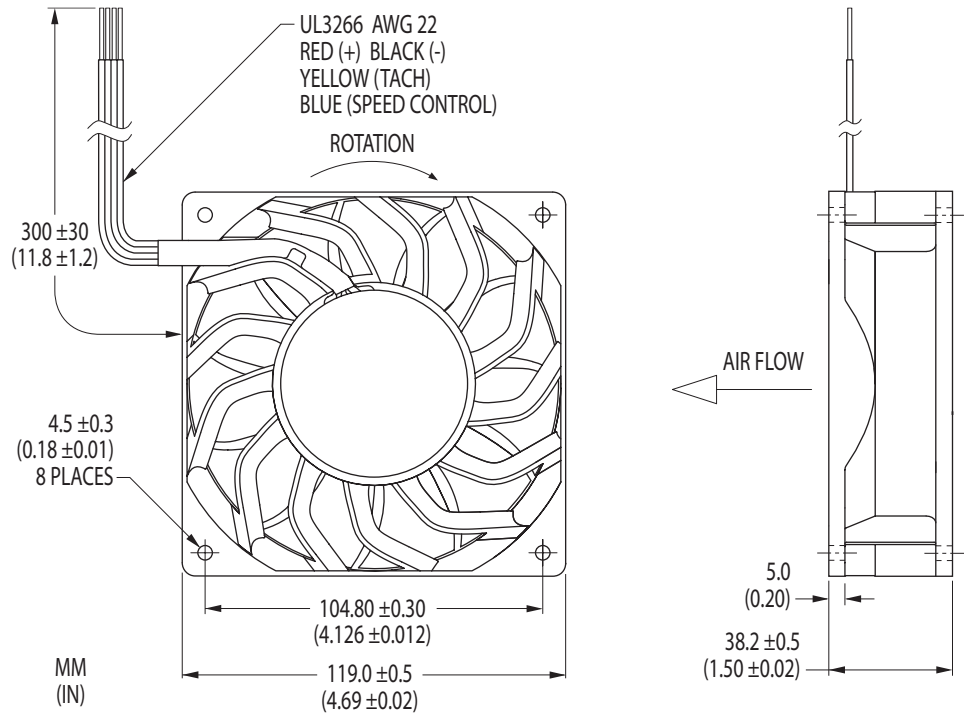


119x38.2mm



G1238B Series

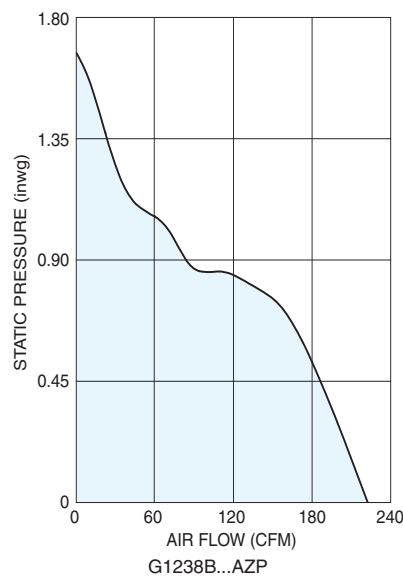
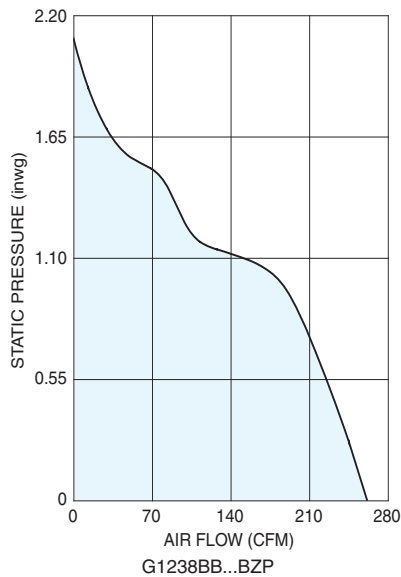
- ✓ Air Performance Ratings to 261 CFM and 2.09 inwg
- ✓ PWM Speed Control and Open-Collector Tachometer, Standard
- ✓ Die-Cast Metal Housing, Permanently Lubricated, Shielded Ball Bearings



Vane Axial Cooling Fans

Model	Air Flow (CFM)	Max. Static Pressure (inwg)	Operating Voltage		Operating Current (A)	Input Power (W)	Fan Speed (rpm)	Sound Pressure (dBA)	Operating Temp.		L10 Life† (hours)
			Nominal (V)	Range (V)					Min. (°C)	Max. (°C)	
G1238B12BBZP-00	261	2.09	12	9.6-13.8	4.45	53.4	6300	67	-20	+60	80,000
G1238B24BBZP-00	261	2.09	24	16.8-27.6	2.20	52.8	6300	67	-20	+60	80,000
G1238B48BBZP-00	261	2.09	48	36.0-55.2	1.10	52.8	6300	67	-20	+60	80,000
G1238B48BAZP-00	223	1.67	48	36.0-55.2	0.66	31.7	5300	64	-20	+70	80,000

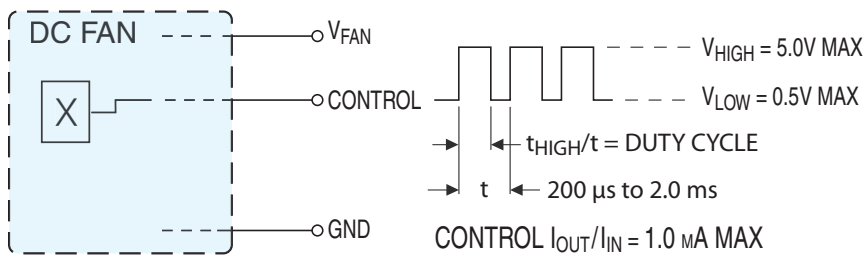
Air flow, current, speed and sound pressure ratings are at nominal operating voltage and zero static pressure. † L10 bearing life expectancy at $T_A = +40C$. At $+60^{\circ}C$, L10 life expectancy is 40,000 hours. Failure criteria for testing that establishes these figures include a 20 percent reduction in speed or an 8 dB increase in sound generation. *N/BAAH*



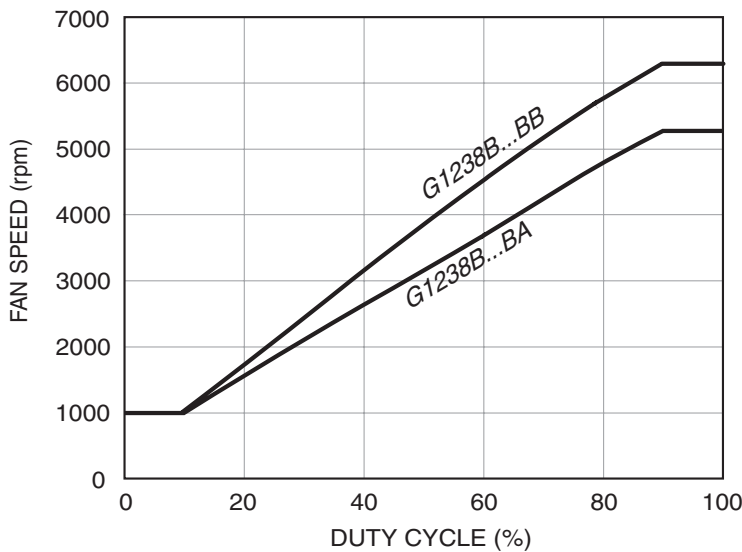
All for dreams

Nidec America Corporation · phone 781-848-0970 · email fans@nidecamerica.com · www.nidecamerica.com

PULSE-WIDTH MODULATED SPEED CONTROL



FAN SPEED AS A FUNCTION OF PWM DUTY CYCLE



OPEN-COLLECTOR TACHOMETER (OPTION P)

