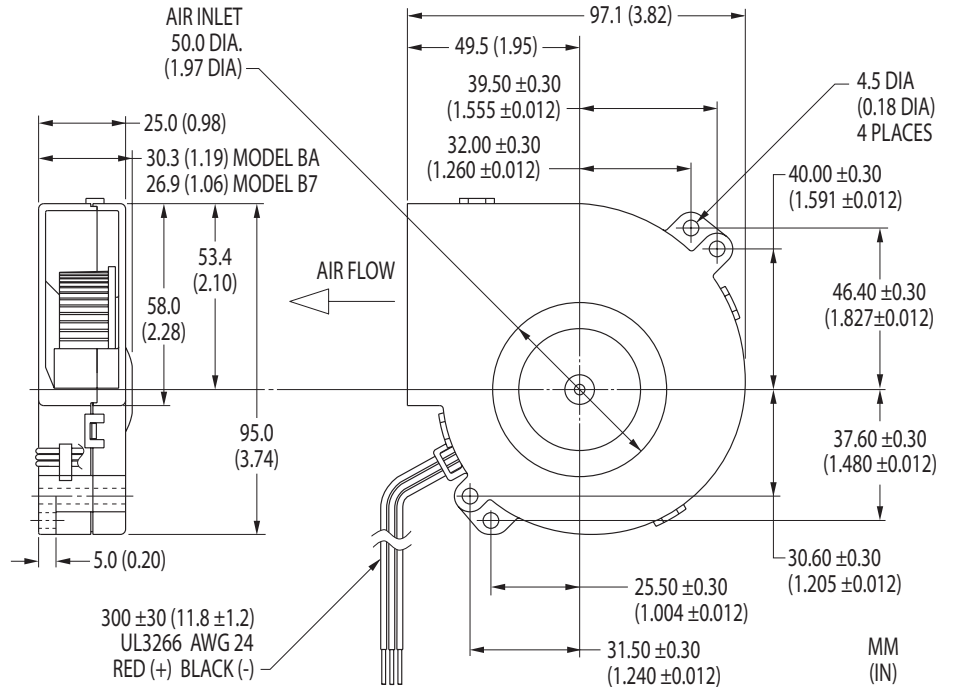


# 97.1 x 95 x 25 mm



## E1027H Series

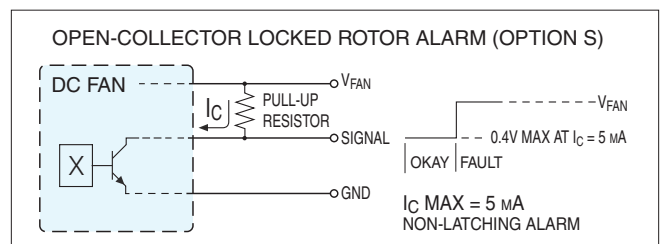
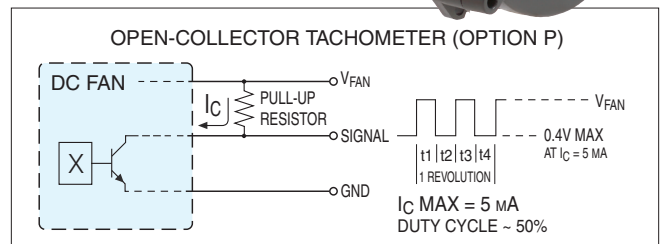
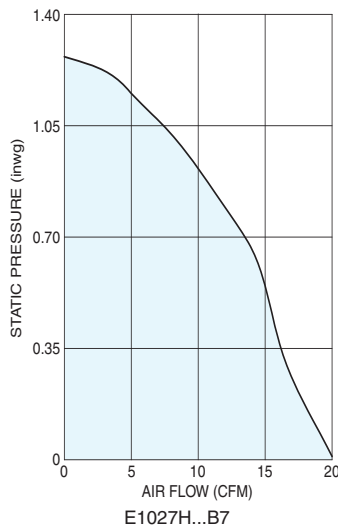
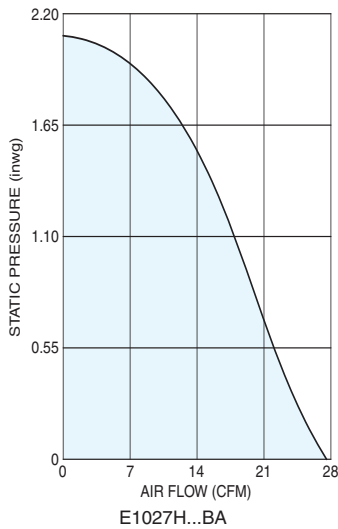
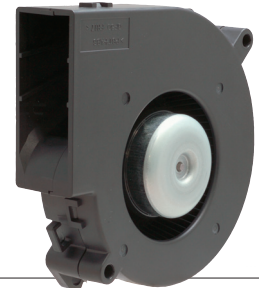
- ✓ Static Pressure to 2.09 inwg
- ✓ Air Flow Ratings to 28 CFM
- ✓ Tach, Locked Rotor Alarm Options
- ✓ Permanently Lubricated, Shielded, Dual Ball Bearings



## Centrifugal Blowers

Model	Air Flow (CFM)	Max. Static Pressure (inwg)	Operating Voltage		Operating Current (A)	Input Power (W)	Fan Speed (rpm)	Sound Pressure (dBA)	Operating Temp.		L10 Life† (hours)
			Nominal (V)	Range (V)					Min. (°C)	Max. (°C)	
E1027H12BAAZ-00	28	2.09	12	8.4-13.8	1.00	12.0	5000	55	-20	+60	80,000
E1027H12B7AZ-00	20	1.27	12	5.0-13.2	0.55	6.6	3600	47	-20	+70	80,000

Air flow, current, speed and sound pressure ratings are at nominal operating voltage and zero static pressure. † L10 bearing life expectancy at  $T_A = +40^\circ\text{C}$ . At  $+60^\circ\text{C}$ , the life expectancy rating is 40,000 hours. To specify an open-collector tachometer circuit (two square wave pulses per revolution, 50 percent duty cycle) terminated in a third lead wire, replace the letter "Z" at the end of the model name with a "P". For an open-collector, low-pass/high-fail locked rotor alarm circuit terminated in a third lead wire, change the "Z" to "S."



All for dreams

Nidec America Corporation · phone 781-848-0970 · email fans@nidecamerica.com · www.nidecamerica.com